

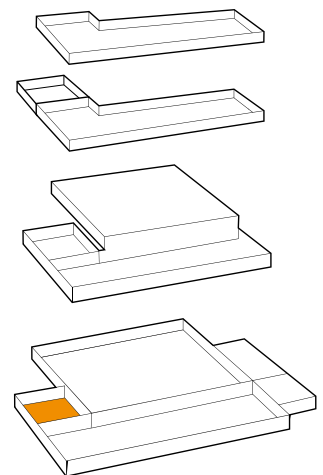
ESPACE HIPPOMENE

BOARD ROOM

The Board Room is an exclusive facility with separate access that is ideal for holding meetings or working sessions in complete privacy. This cozy and welcoming room can be completely isolated and features all the services required for working groups, lunches with customers or board meetings. The Board Room is a completely self-contained area inside the Espace Hippomène with its own fully equipped meeting room, a lounge and secretarial office.



GROUND FLOOR



Maximum capacity	200 people
Surface area	201 m ²
Dimensions	17x12x3.5 m (LxWxH)
Access door	3x5 m (LxH)
Dimming	95% – motor-driven blinds
Electric power supply	- 3x40 A – 16x230 V sockets - 10 data and voice ports - 1 remote network port
Lighting	500 lux/m ² with variator
Equipment	- television set - DVD player - beamer - videoconferencing - speakers - fully equipped secretarial office
Connections	Wi-Fi network
Toilets	2 lavatories with hand basin

The Board Room is rented furnished.

